

OLSON

Manicure / pedicure stool

DESCRIPTION

Manicure stool with lateral support, rotating palm rest and 3 storage drawers (removable storage trays).



CHARACTERISTICS

MATERIAL

Metallic structure

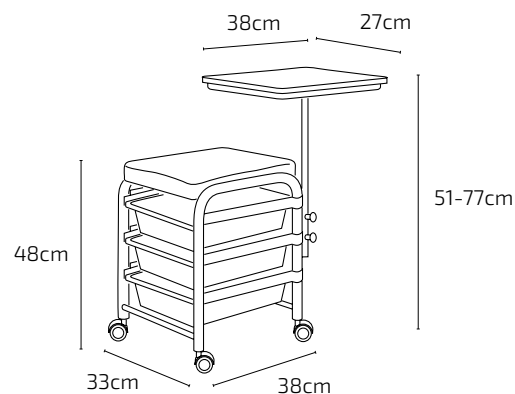
Upholstered PVC fire retardant

SPECIFICATIONS

4 removable polypropylene wheels

COLOUR

White



PESO · WEIGHT · POIDS



6,5Kg

VOLUMEN · VOLUME



0,08m³

CAJAS · BOXES · CARTONS



1 38 x 43 x 53cm